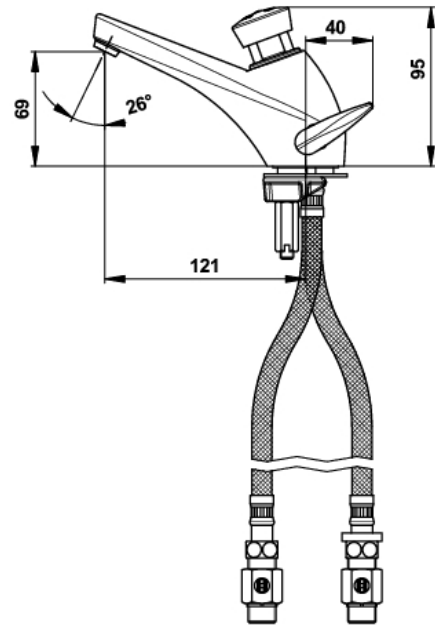


**Range :** Deck-mounted mixer tap

**Ref :** 68132 - PRESTO 3000 S, anti-blocking "S" system



> **Working pressure :**

- 1 to 5 bar

> **Flow :**

- 3 l/min at 3 bar - 4-position flow adjustment device
- Anti-water-hammering design
- Vandalism proof and anti-clogging spout

> **Flow time :**

- 15 seconds (± 5 sec.)

> **Hydraulic supply :**

- G 3/8" (12x17)

> **Thermal resistance :**

- Resistant to a temperature of 75°C for 30 minute thermal shock

> **Security :**

- Non-turnable push button
- Non-removable, wear-proof red marker
- Patented anti-blocking "S" system to avoid the water to flow continuously

> **Delivered with :**

- 2 PEX Hoses with NF check valves and revolving nut
- 2 MM G 3/8" (12x17) Stop valves
- 2 Filter gaskets
- 1 Stainless steel plain washer
- Fixing bracket
- 1 Flange gasket
- 1 Brass clamping nut
- Instruction manual

> **Standards & approvals :**

- Brass body in accordance with EN 1982, EN 12164, EN 12156
- Molded chrome-plated body in accordance with EN 12540
- 200-hour neutral salt spray resistant (NSS) in accordance with ISO 9227

This document is not contractual. We reserve the right to modify the characteristics of our products without notice in advance. All our brands and models are registered trade marks.

